



CROSSLINK INTERNATIONAL, INC.



Mission Statement

Our commitment is to minimize COST without compromising QUALITY while continuously improving our International operations.

Product Commitment

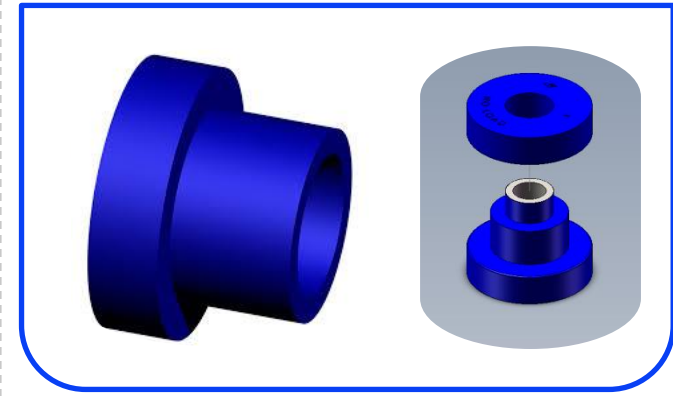
Our product commitment is one of uncompromised standards within our design, process and delivery systems. Crosslink International establishes advanced quality planning measures within the product design process, assuring quality and performance at the product launch phase.

For more information please visit us at www.c-i-inc.com or contact Steve Pollazzi, Business Development Manager at 215-766-9650 x4115 or snpollazzi@c-i-inc.com

Crosslink International, Inc.
6140 Kit Road
Pipersville, PA 18947

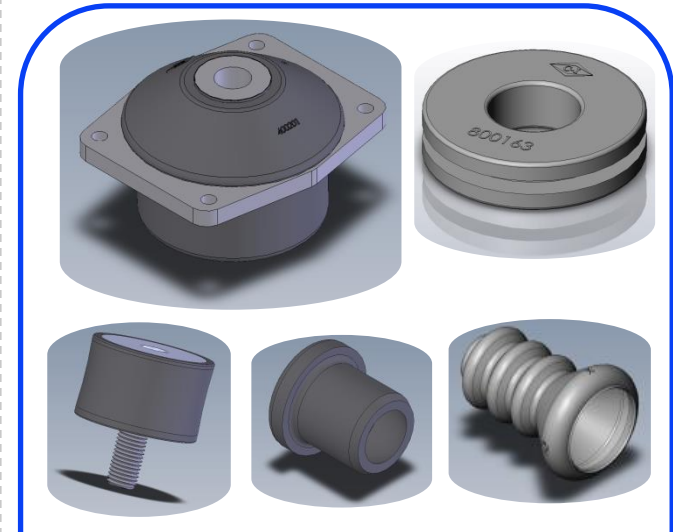


www.c-i-inc.com



CROSSLINK INTERNATIONAL, INC.

Manufacturer of Rubber, and Rubber to Metal Components for the Bus & Coach Industries.



Tel 215.766.9650
Fax 215.766.9606

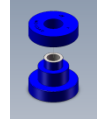
BUS & COACH COMPONENTS



•Hi Temp Center Bonded Mounts



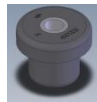
•ISO-Flex Mounts



•Exhaust Mounts



•Engine Mounts



•Center Bonded Mounts



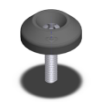
•Boots



•Seals, Gaskets, Isolation Rubber



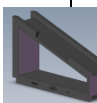
•Hi Temp Exhaust Mounting Kits



•Threaded Bumpers, Closure Stops



•Radiator Supports



•Frame Plumb & Harness Protectors

www.c-i-inc.com



Our Core Competency

Crosslink International is recognized as a World Class rubber, and rubber to metal molder for the Bus and Coach Industries. Crosslink currently serves many of the US Bus & Coach OEM's with a wide range of elastomeric solutions. Our core product lines revolve around suspension and engine compartment applications. We have a wide range of high and low temperature elastomers, all of which are proven to satisfy the severest of OEM duty requirements. Our products range from Adjustable linkage isolators, Engine Mounts, CV Boots, Center Bonded Mounts, as well as general Grommets to Threaded Bumpers.

215-766-9650

INDUSTRIES SERVED



Bus & Coach

Bus and Coach OEM's continue to increase their requirements for Comfort, Ride, & Efficiency while driving down Weight, and component Costs. Crosslink handles all these factors thru creative and effective engineering solutions, which keep us ahead of the curve, and most importantly, our competition.

We currently serve many of the Bus and Coach Industries: Low Floor, Coach, Luxury Motor Coach, Mini-Coach, School Bus, Shuttle Van, as well as Cut-and-Stretch and unique jobber creations.

We concurrently work with our customers to utilize common applications, and offer our design services and testing equipment to support each and every application.

We hope you consider Crosslink to support your toughest of rubber applications. We assure you will find many common applications and test data for product currently sourced today.

In addition, we feel you will find specialty solutions such as Door, Box or Cover closure bumpers, specialty Engine Mounting Systems, Transmission Drive Isolators, Kneeling pump isolators, Wheel Chair access isolators, and Inspection Hole plugs to name a few.

www.c-i-inc.com